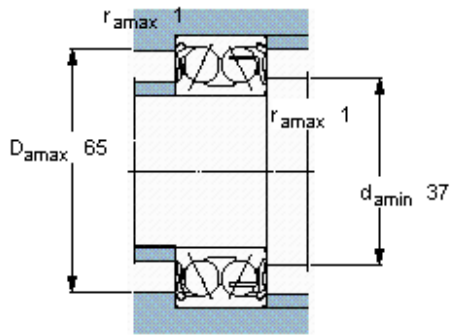
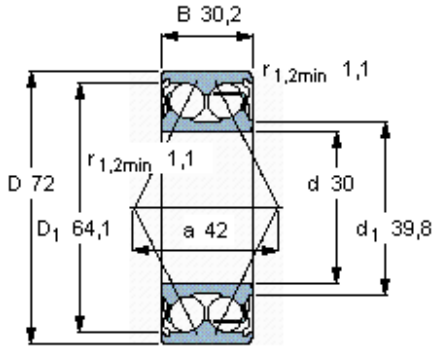


Angular contact ball bearings, double row

Principal dimensions			Basic load ratings		Speed ratings		Designation
d	D	B	dynamic C	static C0	Reference speed	Limiting speed	
mm			kN		r/min		<b>* SKF Explorer bearing</b>
<b>30</b>	72	30,2	41,5	27,5	9000	9000	<b>3306 A-2Z *</b>



**Calculation factors**

- $k_r$  0,07
- $e$  0,8
- $X$  0,63
- $Y_1$  0,78
- $Y_2$  1,24
- $Y_0$  0,66